

SN-1 / SN9-1 SCALER NET CLIMBER

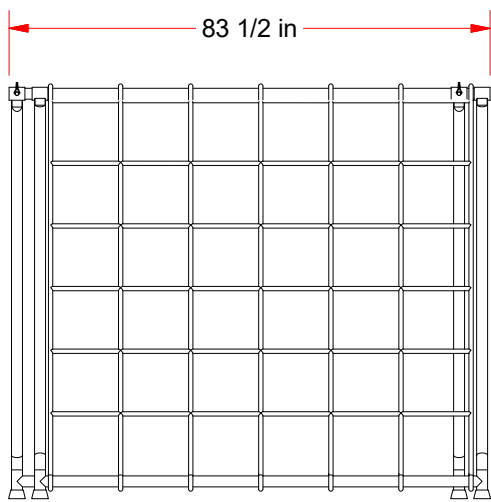
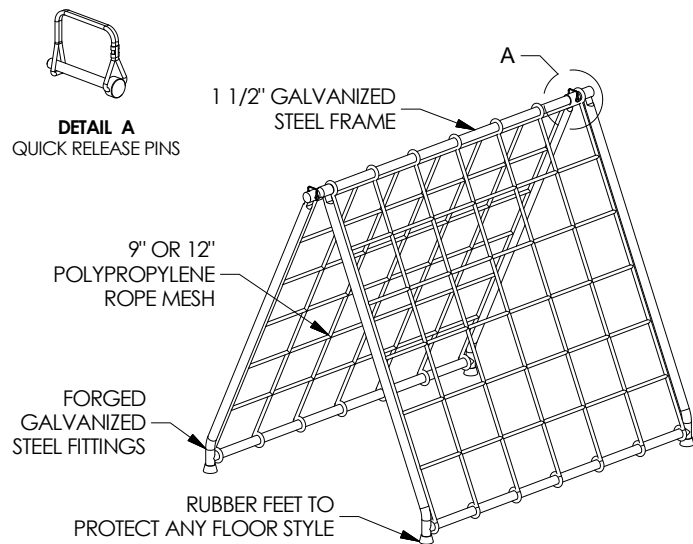
The Scaler Net Climber is a heavy duty A-frame and net for physical education and adaptive PE applications. Designed to stimulate and introduce new challenges and help develop motor skills for younger aged children. Advances strength and coordination while building confidence and self-esteem at each child's individual comfort and skill level.

Frame is constructed of heavy duty 1-1/2" galvanized steel pipe and features a unique "fold down" design allowing for easy setup, breakdown, transport and compact storage. Frame locks into position with quick-release pins and includes rubber feet for floor protection. Climber can easily be moved by two adults. Net provides a 6' x 6' x 12' climbing surface is handcrafted using 3/4" yellow polypropylene rope (other colors available). Handcrafted net is available with 12" or 9" square openings. Climber recommended for indoor use but is also suitable for limited outdoor use. Ample lashing cord provided to control desired net tension.

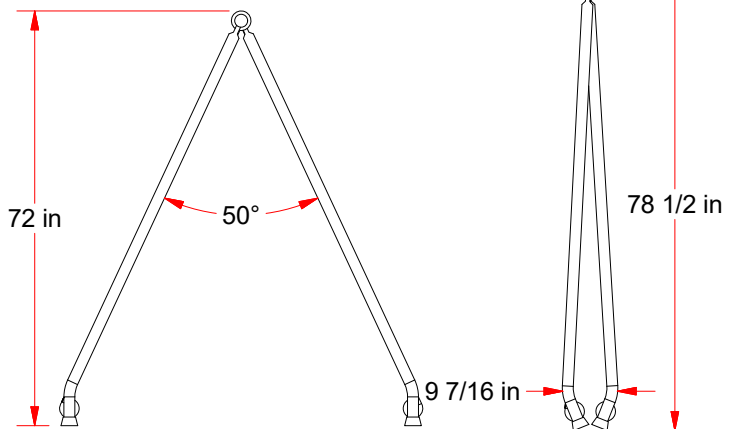
Do not allow any jumping on or off the net or net surface. Proper mats, supervision, and spotting required when using the equipment.

SPECIFY DESIRED NET MESH SIZE

- SN-1 12" SQUARE MESH AND FRAME
- SN9-1 9" SQUARE MESH AND FRAME



FRONT VIEW



SIDE VIEW

STORAGE VIEW

