

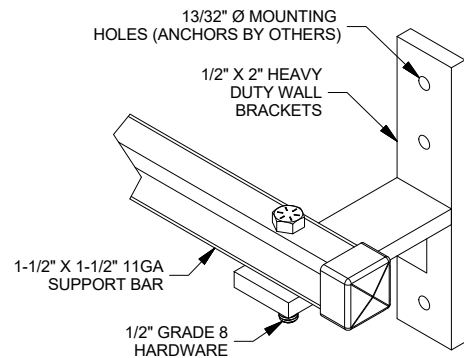
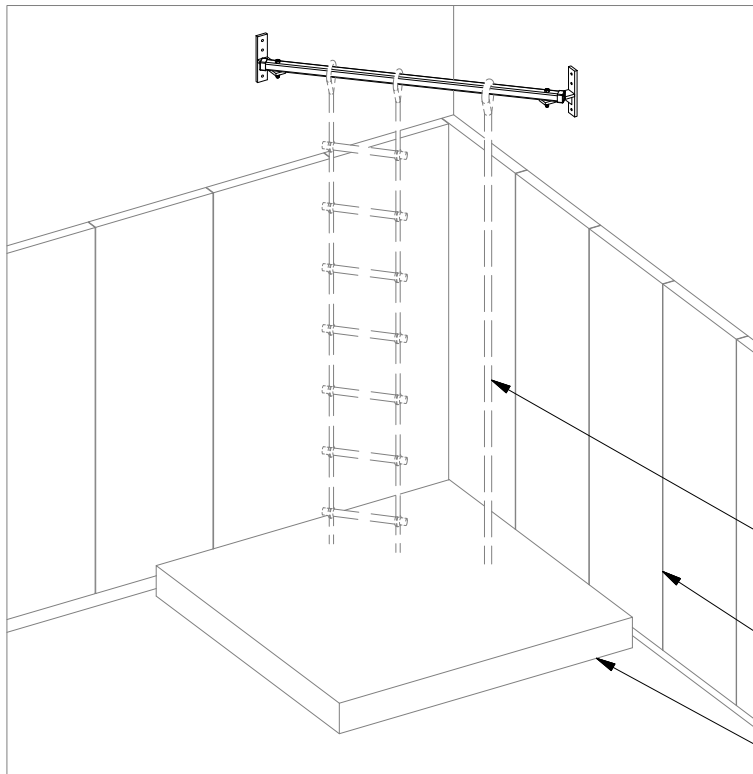
CHB SERIES - CORNER MOUNTED HANGING BARS

JAMMAR MFG

PRODUCT SPECIFICATION

The Corner Mounted Hanging Bars (CHB) Series is a simple method for attaching climbing ropes, ladders, or cargo nets for younger, beginner level climbers. The CHB series mounts directly in the corner of a structural wall with a recommended attachment height of 8' above the finished floor. The hanging bar assembly attaches to a structural wall utilizing 3/8" thick heavy duty welded brackets. Each bracket is attached to the wall with three anchors, specified and supplied by others. The support bar is constructed of 1-1/2" x 1-1/2" 11 gauge steel and is thru-bolted to the wall brackets using 1/2" Grade 8 hardware.

The CHB Series is 4' wide and completely customizable with your desired set-up. The number of accessories per hanging bar assembly is determined by the customer. Allow for 18-24" minimum spacing from accessory to accessory. Climbing cargo nets can be oriented vertically or at an angle. Angled cargo nets are custom and require floor anchors. Custom support bars and custom accessories available upon request. Standard accessories listed below and sold separately.

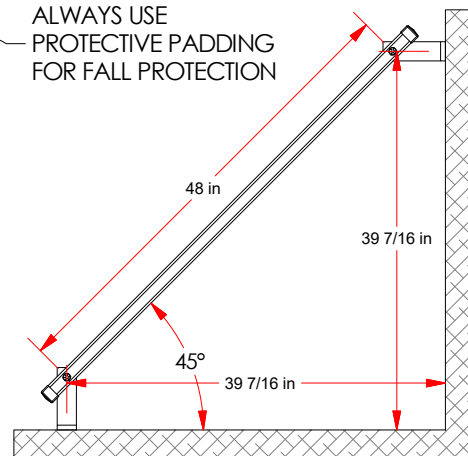


DETAIL A
TYPICAL HANGER ASSEMBLY

ACCESSORIES
PURCHASED SEPARATELY

HIGHLY RECOMMEND TO
LOCATE HANGING BARS ABOVE
PROTECTIVE WALL PADDING

ALWAYS USE
PROTECTIVE PADDING
FOR FALL PROTECTION



TOP VIEW

STANDARD ACCESSORIES:

- WCF-2-100-M-8 8' Long, 1" Dia Manila Climbing Rope
- WCF-2-125-M-8 8' Long, 1-1/4" Dia Manila Climbing Rope
- WCF-2-100-W-8 8' Long, 1" Dia Poly Dacron Climbing Rope
- WCF-2-125-W-8 8' Long, 1-1/4" Dia Poly Dacron Climbing Rope
- WRL12-8 8' Long, All-Purpose Rope Ladder
- WPP9-3/4-48 4' W by 8' H Climbing Cargo Net, with 9" Mesh
- WPP9-3/4-88 8' W by 8' H Climbing Cargo Net, with 9" Mesh
- WPP9-3/4-108 10' W by 8' H Climbing Cargo Net, with 9" Mesh
- WPP9-3/4-128 12' W by 8' H Climbing Cargo Net, with 9" Mesh

www.jammarmfg.com
26 Industrial Park Road
Niantic, CT 06357
P: (860) 451-8163 F: (860) 451-8178



ALL RIGHTS RESERVED. THIS PRINT IS THE SOLE PROPERTY OF JAMMAR MFG AND MAY NOT BE REPRODUCED WITHOUT WRITTEN PERMISSION. © COPYRIGHT 2017 JAMMAR MFG INC.