



## Installation & Maintenance Manual

# A-312

## ADJUSTABLE BEAM CLAMP

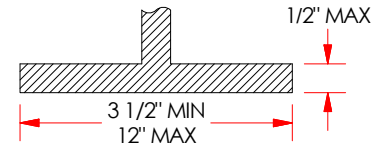
### **GENERAL POLICY ON WARRANTY INFORMATION**

JAMMAR Manufacturing Company Inc. provides you with the finest equipment possible. All products are fabricated from top-quality materials and made to our own high standards in our own facilities. JAMMAR'S guarantee is as follows: Seller warrants to the customer that the products herein sold are free of defects in material and workmanship for a period of one (1) year from date hereof. This warranty is Seller's sole warranty here under and does not cover, and is intended to exclude any liability on the part of the Seller whether under this warranty or under any warranty implied by law, for any indirect or consequential damages for breach hereof or thereof. Any and all warranties implied by law shall be limited to one (1) year from the date hereof. Seller's sole obligation under this warranty shall be to repair, or at its option, replace, at its expense, any defective part or parts. Buyer must receive Seller's written approval to return part or parts from inspection and no charges for repair will be accepted by Seller without its written authorization. Seller specifically excludes any warranty expressed or implied for any product which has been manufactured according to buyer's own design, prints, or specifications. Installation of our products is the responsibility of the Buyer who assumes any liability for damage to property or injury. Rope does and will wear out over time depending on the degree of usage. JAMMAR reserves the right to void warranty on the rope portions of our products based on (1) unintended usage (2) poor or improper installation and/or (3) above normal usage. Above normal usage includes commercial and military training applications. While every attempt is made to embody the highest degree of protection in all equipment, we cannot, however, guarantee freedom from injury. The user assumes all risk of injury due to use. All merchandise is sold on this condition, which is nonrepresentative of the company and can waive or change. Equipment should be inspected periodically by user for damage and wear and tested for stability. All sporting and PE activities carry the risk of injury to the participants. Improperly maintained equipment and inadequately supervised programs are significant contributing factors. All equipment must be thoroughly inspected and maintained to reduce the risk to the users.

## INSTALLATION INSTRUCTIONS:

1. Before installing the A-312 adjustable beam clamp, inspect the building structure to ensure it will withstand the loading of the equipment that is being installed with this clamp. If there is any doubt, contact the customer, contractor, and / or structural engineer to ensure the building structure is adequate. JAMMAR accepts no responsibility for the building structure.

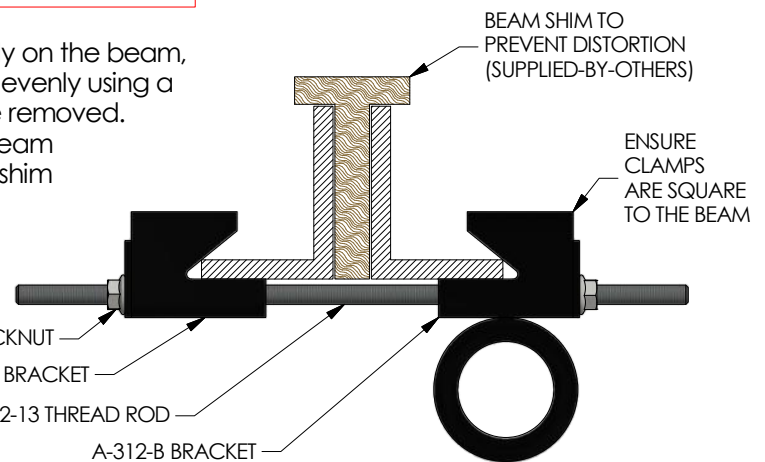
2. If the building structure is deemed acceptable, check to see that the flange thickness of the beam does not exceed 1/2". Ensure flange width is between the range of 3 1/2" to 12" wide. Building structure must flat, and horizontal. This beam clamp is not approved for sloped applications.



**FIGURE 1**

**WARNING:** If the building structure does not meet this criteria, do not install the beam clamp and consult JAMMAR for further advice.

3. Refer to Figure 2. Position the beam clamp squarely on the beam, tighten the nuts on each end of the rod securely and evenly using a hand wrench. If necessary, excess thread rod may be removed. For beams with an open space in the middle of the beam (such as a bar joist), fill the gap with a metal or wood shim (supplied-by-others) to prevent the beam from excessively bending. If shims are installed, ensure the shim can never fall out of the ceiling in any event.



**FIGURE 2**

4. Check the clamp to make sure it is square to the beam. Check that fastener is secure and that the building structure is undeformed before using.

5. Train the end user proper use of the equipment. Make sure the end user / customer is provided with all the installation / maintenance manuals for reference.

## ROUTING TESTING & INSPECTION:

1. **\*IMPORTANT\*** This beam clamp assembly must be tested before using with any apparatus.

2. Test the clamp and beam approximately twice the maximum loading it would normally be exposed to. For example, if the beam clamp is to be used with a climbing rope, have two people hang on the bottom of the rope together and jump up and down. After this is done a number of times, check the clamp for loose fasteners and squareness to the beam. If there are no problems, the equipment is ready for use.

**WARNING:** If any beam deformation occurs during this test, **DO NOT** use the equipment at this location. Doing so would cause a safety hazard.

3. Repeat the above testing procedure every three months.

**CAUTION:** Failure to test the installation as recommended may allow a safety hazard to go undetected. Always test at the recommended intervals. For high usage equipment, more frequent inspections may be required.



## RECORD OF INSTALLATION

Upon completion of installation, the Dealer and/or Installer must turn all documentation and applicable information over to the general contractor / customer / end user. The Dealer and/or installer must train the general contractor / customer / end user proper use of the equipment and advise of any maintenance and inspection that must occur. Please fill out the form below before turning over any equipment.

<b>PROJECT NAME:</b>	_____
<b>PROJECT NUMBER:</b>	_____
<b>PROJECT LOCATION:</b>	_____

<b>DEALER NAME:</b>	_____
<b>DEALER CONTACT:</b>	_____

<b>INSTALLER NAME:</b>	_____
<b>INSTALLER CONTACT:</b>	_____

<b>SCOPE OF WORK:</b>	_____
<i>PROVIDE BRIEF DESCRIPTION OF ALL JAMMAR EQUIPMENT INSTALLED</i>	_____
	_____
	_____

### GENERAL POLICY ON WARRENTY INFORMATION

JAMMAR Manufacturing Company Inc. provides you with the finest equipment possible. All products are fabricated from top-quality materials and made to our own high standards in our own facilities. JAMMAR'S guarantee is as follows: Seller warrants to the customer that the products herein sold are free of defects in material and workmanship for a period of one (1) year from date hereof. This warranty is Seller's sole warranty here under and does not cover, and is intended to exclude any liability on the part of the Seller whether under this warranty or under any warranty implied by law, for any indirect or consequential damages for breach hereof or thereof. Any and all warrants implied by law shall be limited to one (1) year from the date hereof. Seller's sole obligation under this warranty shall be to repair, or at its option, replace, at its expense, any defective part or parts. Buyer must receive Seller's written approval to return part or parts from inspection and no charges for repair will be accepted by Seller without its written authorization. Seller specifically excludes any warranty expressed or implied for any product which has been manufactured according to buyer's own design, prints, or specifications. Installation of our products is the responsibility of the Buyer who assumes any liability for damage to property or injury. Rope does and will wear out over time depending on the degree of usage. JAMMAR reserves the right to void warranty on the rope portions of our products based on (1) unintended usage (2) poor or improper installation and/or (3) above normal usage. Above normal usage includes commercial and military training applications. While every attempt is made to embody the highest degree of protection in all equipment, we cannot, however, guarantee freedom from injury. The user assumes all risk of injury due to use. All merchandise is sold on this condition, which no representative of the company can waive or change. Equipment should be inspected periodically by user for damage and wear and tested for stability. All sporting and PE activities carry the risk of injury to the participants. Improperly maintained equipment and inadequately supervised programs are significant contributing factors. All equipment must be thoroughly inspected and maintained to reduce the risk to the users.

