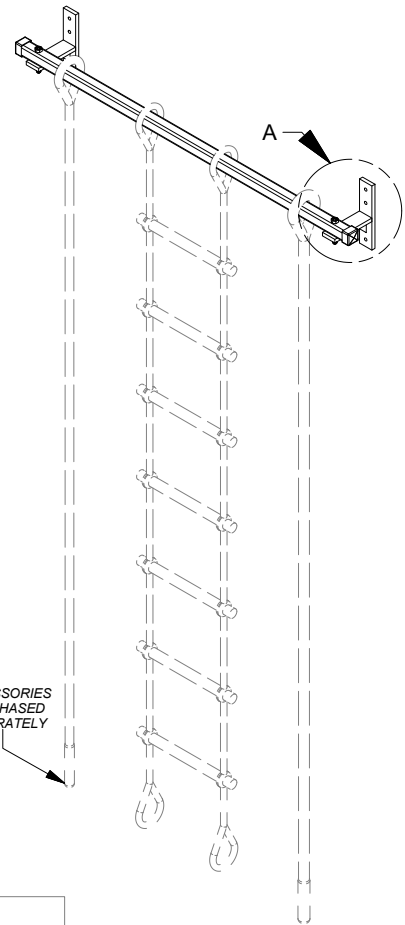


WHB SERIES - WALL MOUNTED HANGING BARS

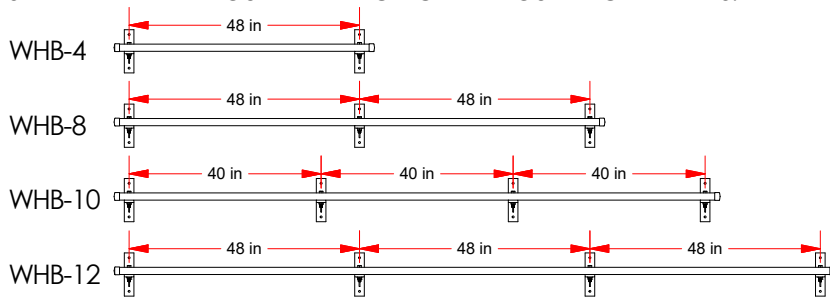
JAMMARMFG

The Wall Mounted Hanging Bars (WHB) Series is a simple method for attaching climbing ropes, ladders, or cargo nets for younger, beginner level climbers. The WHB series mounts directly to a structural wall with a recommended attachment height of 8' above the finished floor. The hanging bar assembly attaches to a structural wall utilizing 3/8" thick heavy duty welded brackets. Each bracket is attached to the wall with three anchors, specified and supplied by others. The support bar is constructed of 1-1/2" x 1-1/2" 11 gauge steel and is thru-bolted to the wall brackets using 1/2" Grade 8 hardware.

The WHB Series is offered in four standard widths of 4', 8', 10' or 12' to completely customize your desired set-up. Style and number of accessories per hanging bar assembly is determined by the customer. Allow for 18-24" minimum spacing from accessory to accessory. Climbing cargo nets can be oriented vertically or at an angle. Angled cargo nets are custom and require floor anchors. Custom support bars and custom accessories available upon request. Standard accessories listed below and sold separately.

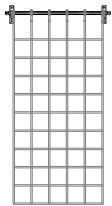


STANDARD WALL MOUNTED HANGING BAR MOUNTING PATTERNS:

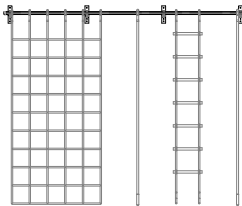


ACCESSORIES PURCHASED SEPARATELY

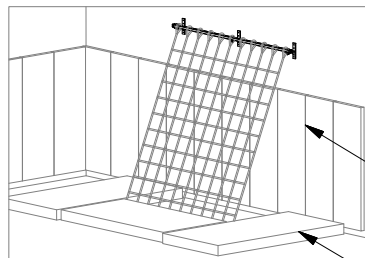
EXAMPLE CONFIGURATIONS:



WHB-4 Bar with 4' Cargo Net



WHB-10 Bar with 4' Cargo Net, Rope Ladder, and 2 Climbing Ropes



WHB-8 Bar with Custom 8' Cargo Net and Floor Anchors

HIGHLY RECOMMENDED TO LOCATE HANGING BARS ABOVE PROTECTIVE WALL PADDING

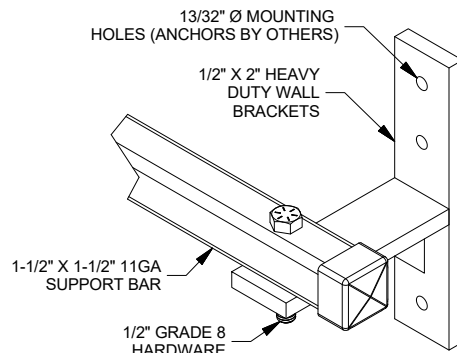
ALWAYS USE PROTECTIVE PADDING FOR FALL PROTECTION

STANDARD WALL MOUNTED HANGING BARS:

- WHB-4 4' Wide Wall Hanging Bar
- WHB-8 8' Wide Wall Hanging Bar
- WHB-10 10' Wide Wall Hanging Bar
- WHB-12 12' Wide Wall Hanging Bar

STANDARD ACCESSORIES:

- WCF-2-100-M-8 8' Long, 1" Dia Manila Climbing Rope
- WCF-2-125-M-8 8' Long, 1-1/4" Dia Manila Climbing Rope
- WCF-2-100-W-8 8' Long, 1" Dia Poly Dacron Climbing Rope
- WCF-2-125-W-8 8' Long, 1-1/4" Dia Poly Dacron Climbing Rope
- WRL12-8 8' Long, All-Purpose Rope Ladder
- WPP9-3/4-48 4' W by 8' H Climbing Cargo Net, with 9" Mesh
- WPP9-3/4-88 8' W by 8' H Climbing Cargo Net, with 9" Mesh
- WPP9-3/4-108 10' W by 8' H Climbing Cargo Net, with 9" Mesh
- WPP9-3/4-128 12' W by 8' H Climbing Cargo Net, with 9" Mesh



DETAIL A
TYPICAL HANGER ASSEMBLY



PRODUCT SPECIFICATION